

BIMETALLIC STEAM TRAPS AND AIR VENTS UBS90 (For use with four-bolt universal pipeline connectors)

DESCRIPTION

The UniADCA UBS90 series bimetallic steam traps and air eliminators, completely in stainless steel, are maintenance free and sealed traps. Simple and robust, they are recommended for drip service, steam tracing applications and where condensate sensible heat can be recovered.

These traps fit the UCX90 four bolt universal connectors.

MAIN FEATURES

- Sealed, non-maintainable.
- Modulating discharge.
- Discharges condensate below steam temperature.
- Excellent air discharge.
- Operates on superheated steam.
- Unaffected by water hammer and vibrations.

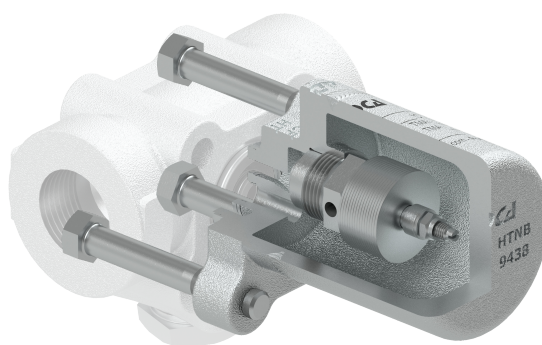
OPTIONS: Different operating limits.

USE: Saturated and superheated steam.

AVAILABLE MODELS: UBS90/4 and UBS90/6 – stainless steel.

SIZES: According to the selected pipeline connector.

INSTALLATION: With the bimetal column in a horizontal plane or pointing upwards.
See IMI – Installation and maintenance instructions.



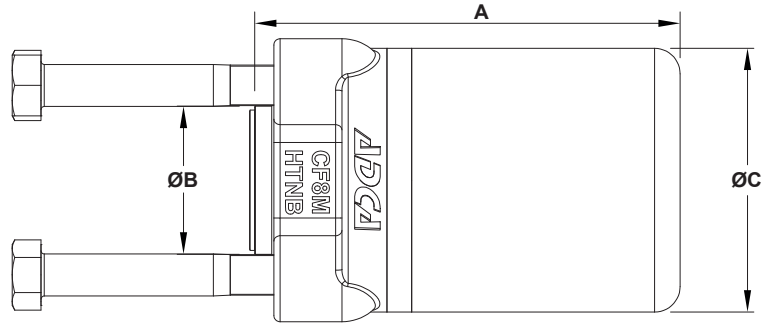
CE MARKING – GROUP 2 (PED – EUROPEAN DIRECTIVE)	
PS 62 bar	CATEGORY
1/2" to 1"	SEP

LIMITING CONDITIONS		
MODEL	MAX. OPERATING PRESSURE	RELATED TEMPERATURE
UBS90/4	45 bar	482 °C
UBS90/6	62 bar	482 °C

Operating pressure ranges:
UBS90/4 – 15 to 45 bar.
UBS90/6 – 25 to 62 bar.

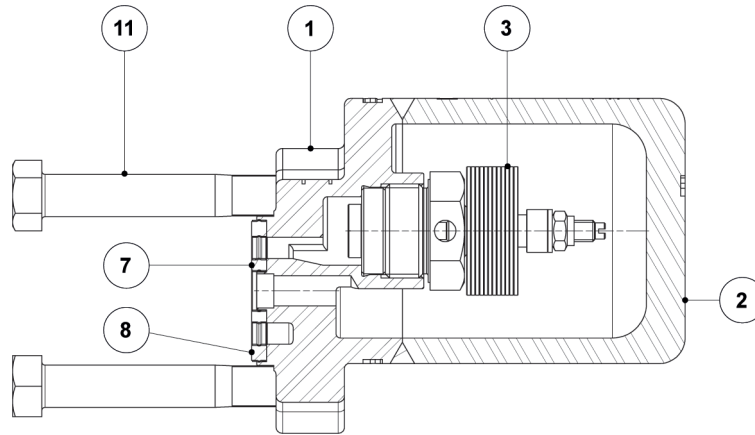
FLOW RATE CAPACITY (kg/h)													
MODEL	SIZE	DIFFERENTIAL PRESSURE (bar)											
		15	17	20	22	25	30	35	40	45	50	55	62
UBS90/4 (A)	1/2" to 1"	400	430	460	480	500	550	570	580	590	–	–	–
UBS90/4 (B)	1/2" to 1"	2400	2600	2760	2800	3000	3200	3600	4000	4200	–	–	–
UBS90/6 (A)	1/2" to 1"	400	430	460	480	500	550	570	580	590	600	610	620
UBS90/6 (B)	1/2" to 1"	2400	2600	2760	2800	3000	3200	3600	4000	4200	4700	5000	5400

A: Condensate discharge at 10 °C below saturation temperature; B: Cold water capacity around 20 °C.



DIMENSIONS (mm)

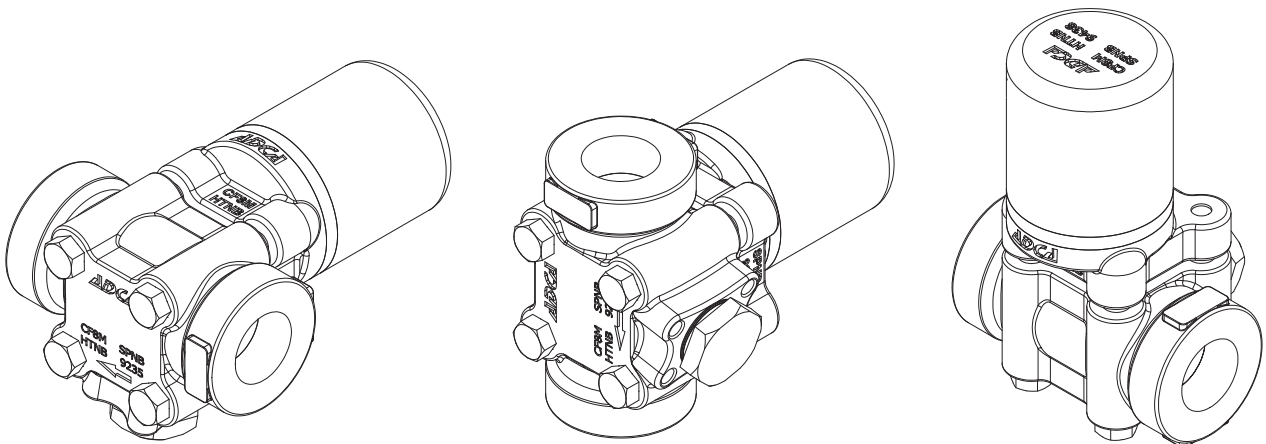
MODEL	A	ØB	ØC	WEIGHT (kg)
UBS90	100	35	62	1,7



MATERIALS

POS. No.	DESCRIPTION	MATERIAL	POS. No.	DESCRIPTION	MATERIAL
1	Body	AISI 316L / 1.4404	7	* Inlet gasket	Stainless steel / Graphite
2	Cover	AISI 316 / 1.4401	8	* Outlet gasket	Stainless steel / Graphite
3	Bimetallic regulator	Corrosion resistant bimetal; Stainless steel	11	Bolt	A193 Gr. B7

* Available spare parts.



UBS90 steam trap connected to a UCX90 universal pipeline connector